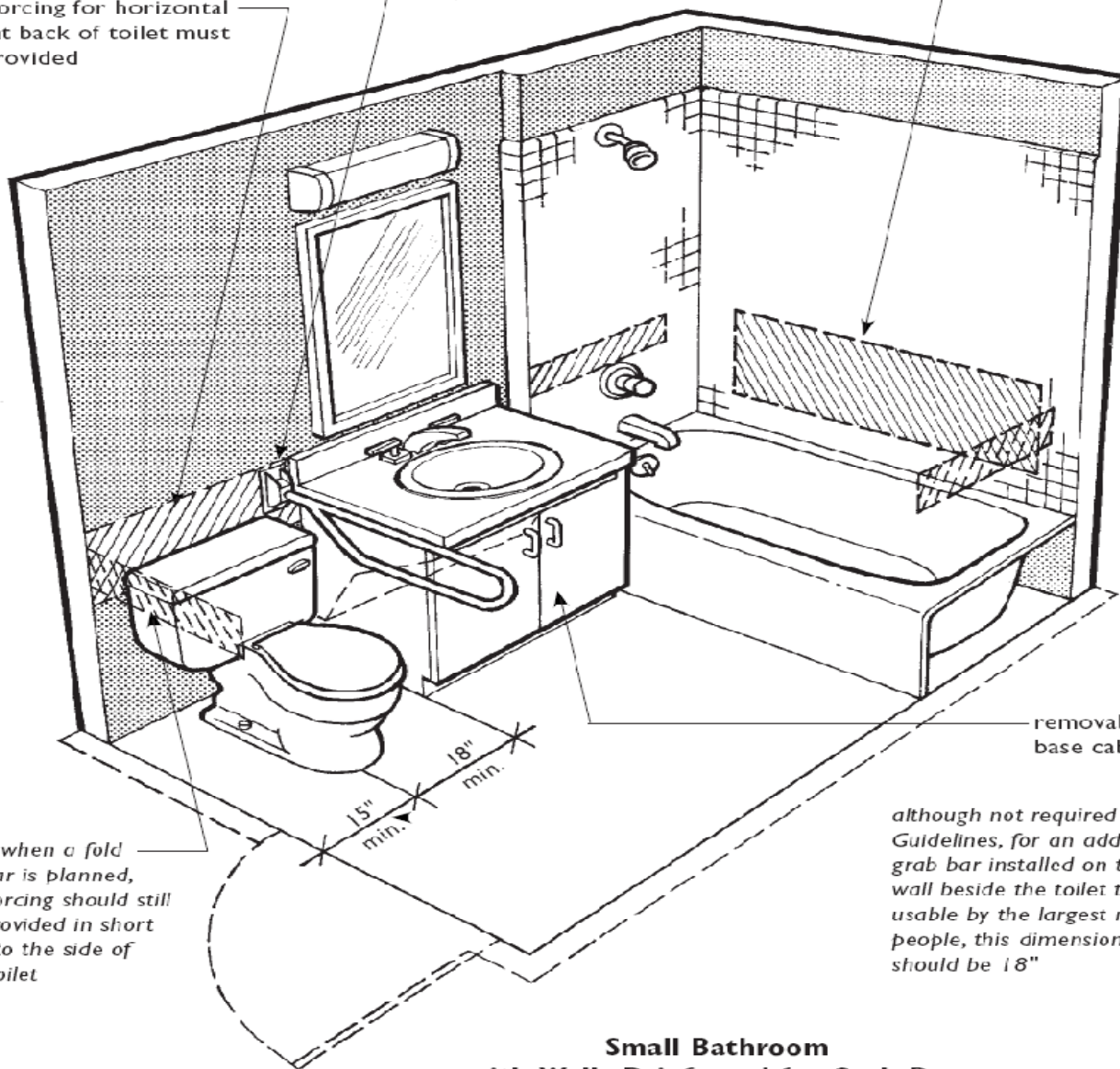


# Placement and Reinforcement for Bathroom Grab Bars

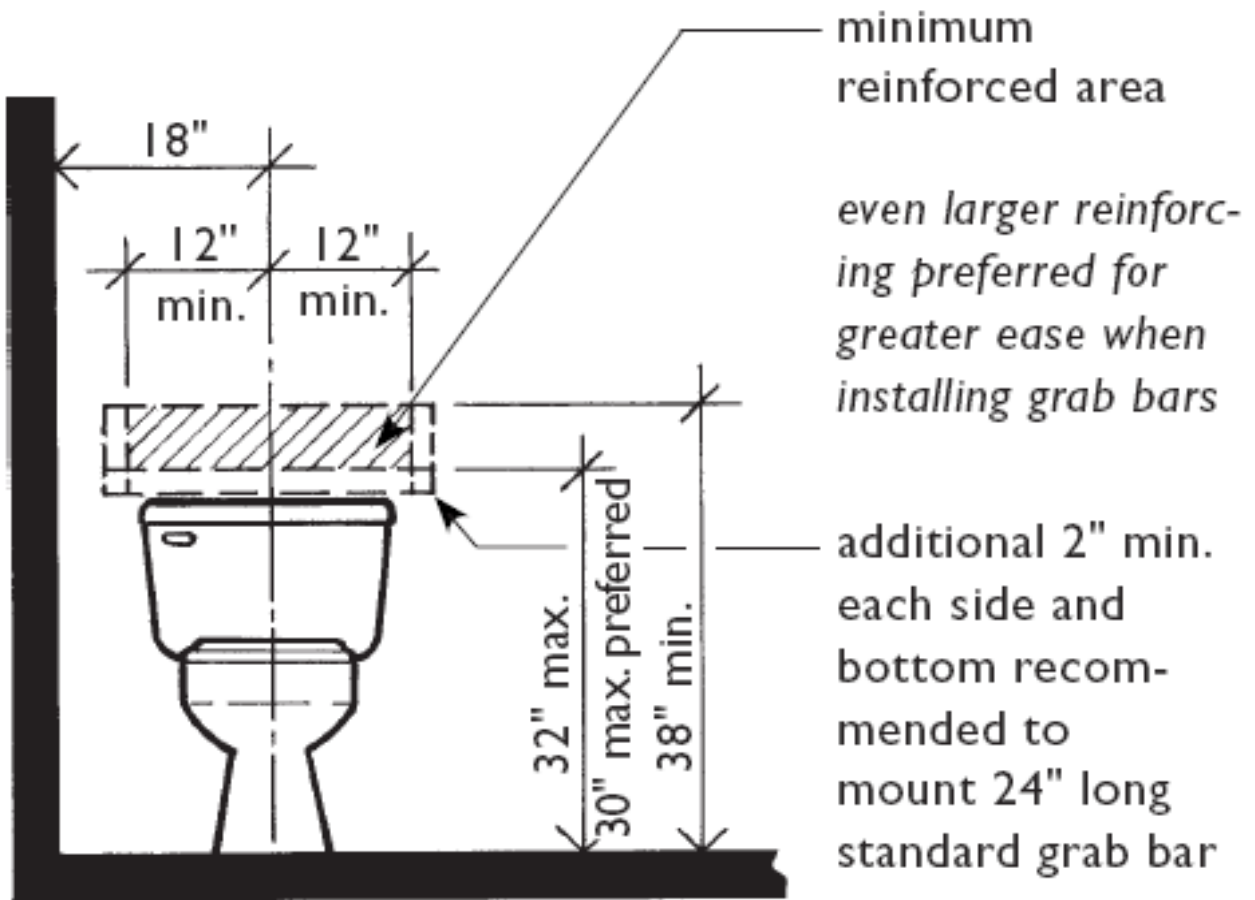
where toilets do not have full side walls, reinforcing behind toilet must be enlarged to support a folding grab bar

reinforcing for horizontal bar at back of toilet must be provided

minimum reinforced areas at conventional bathtub

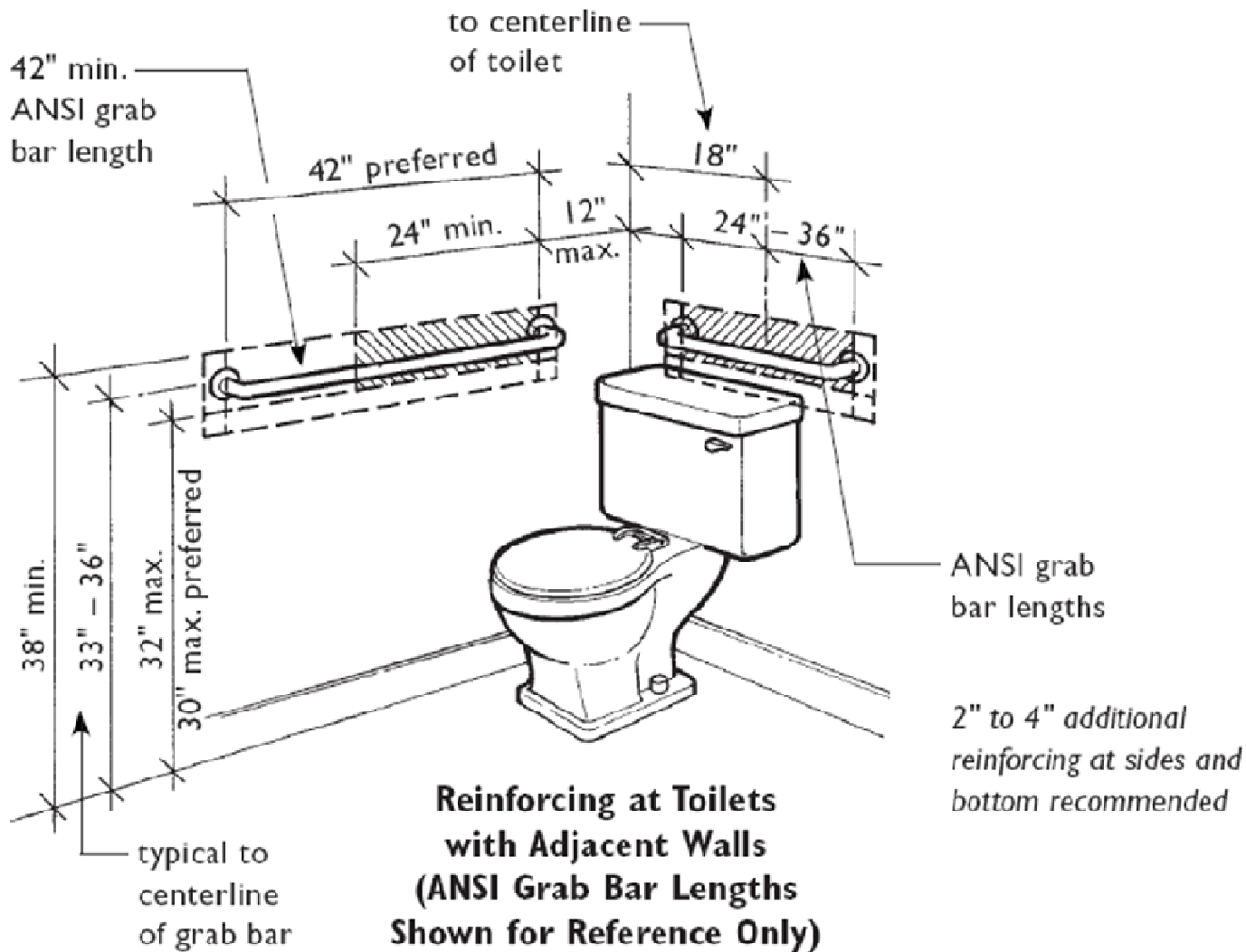


# Placement and Reinforcement for Bathroom Grab Bars

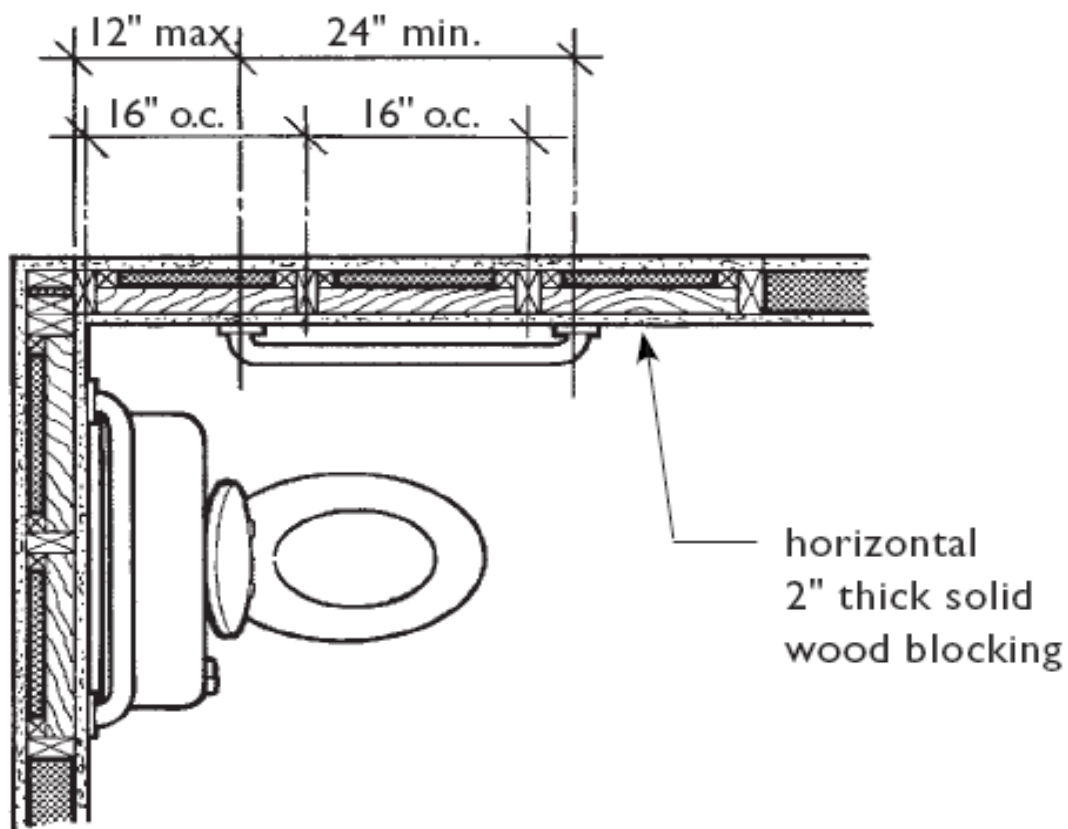


**Minimum Reinforcing Behind Toilets  
Located Beside a Wall**

# Placement and Reinforcement for Bathroom Grab Bars

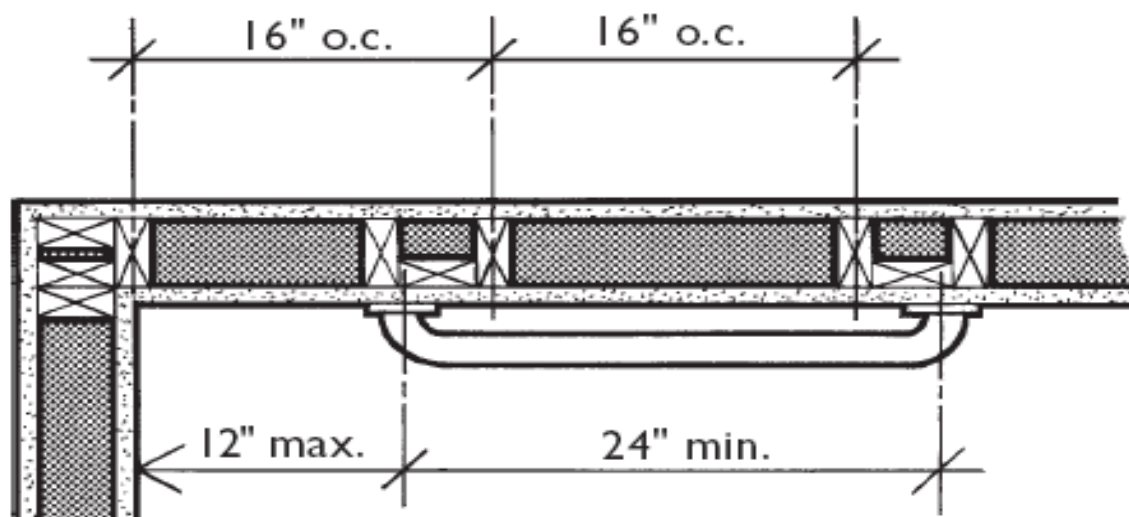


# Placement and Reinforcement for Bathroom Grab Bars



**Plan View of Extended Horizontal Blocking  
Between Conventional Wood Studs**

# Placement and Reinforcement for Bathroom Grab Bars



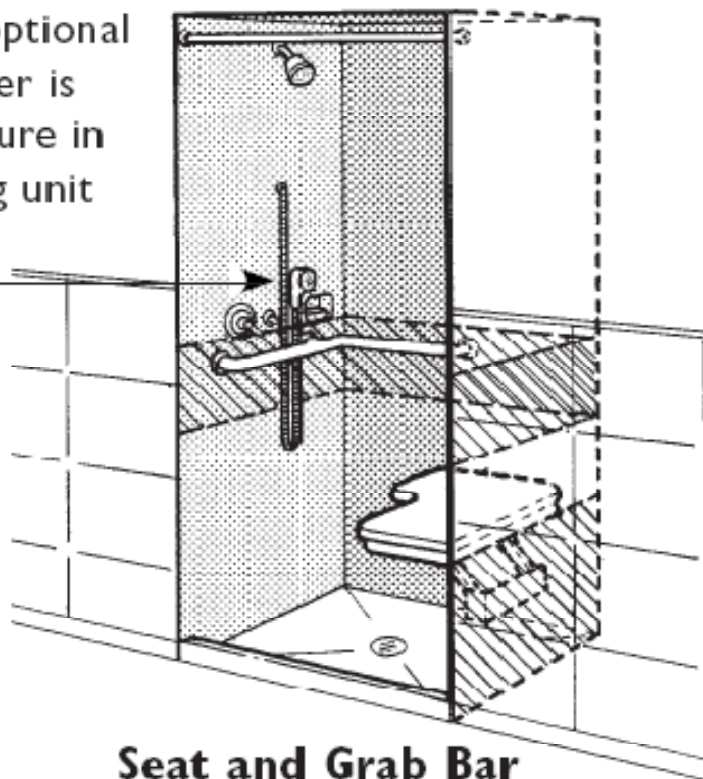
**Additional Stud Method  
of Reinforcing for Grab Bars**

# Placement and Reinforcement for Bathroom Grab Bars

reinforcing for optional seat when shower is only bathing fixture in covered dwelling unit

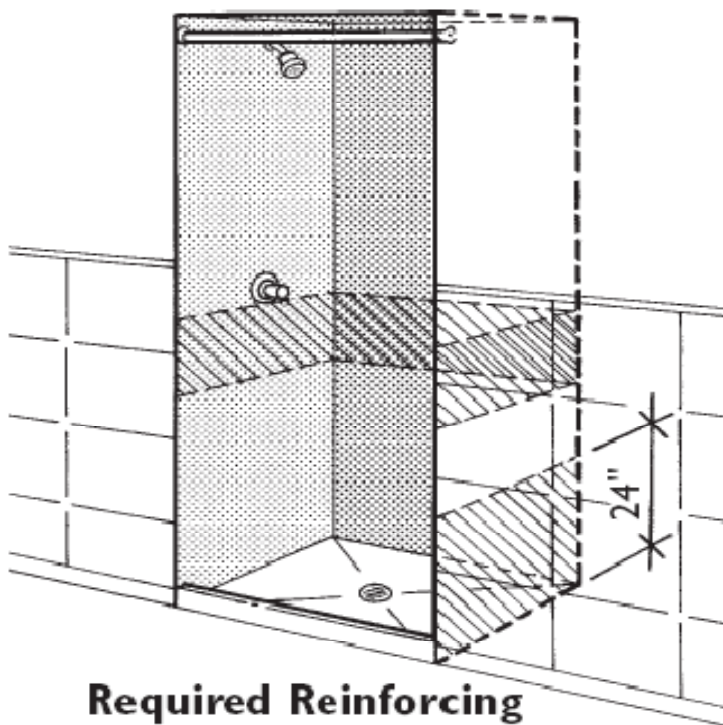
optional hand-held shower

17"-19", typical seat height as specified in ANSI

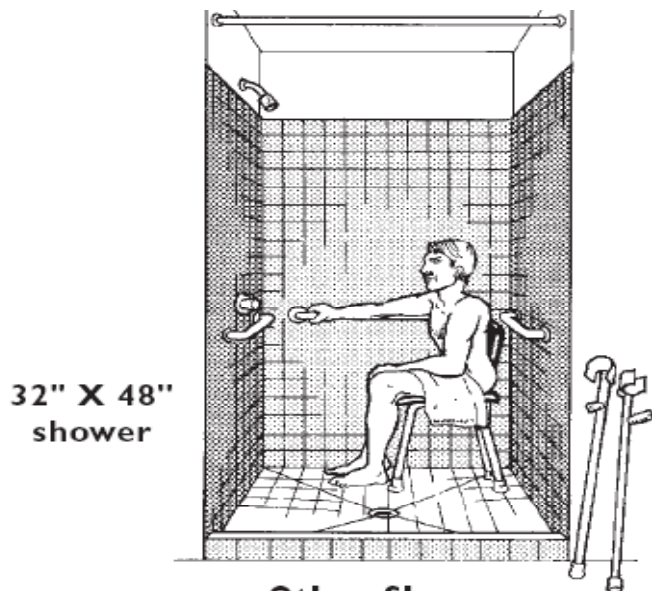


**Seat and Grab Bar  
in 36" X 36" Shower**

# Placement and Reinforcement for Bathroom Grab Bars

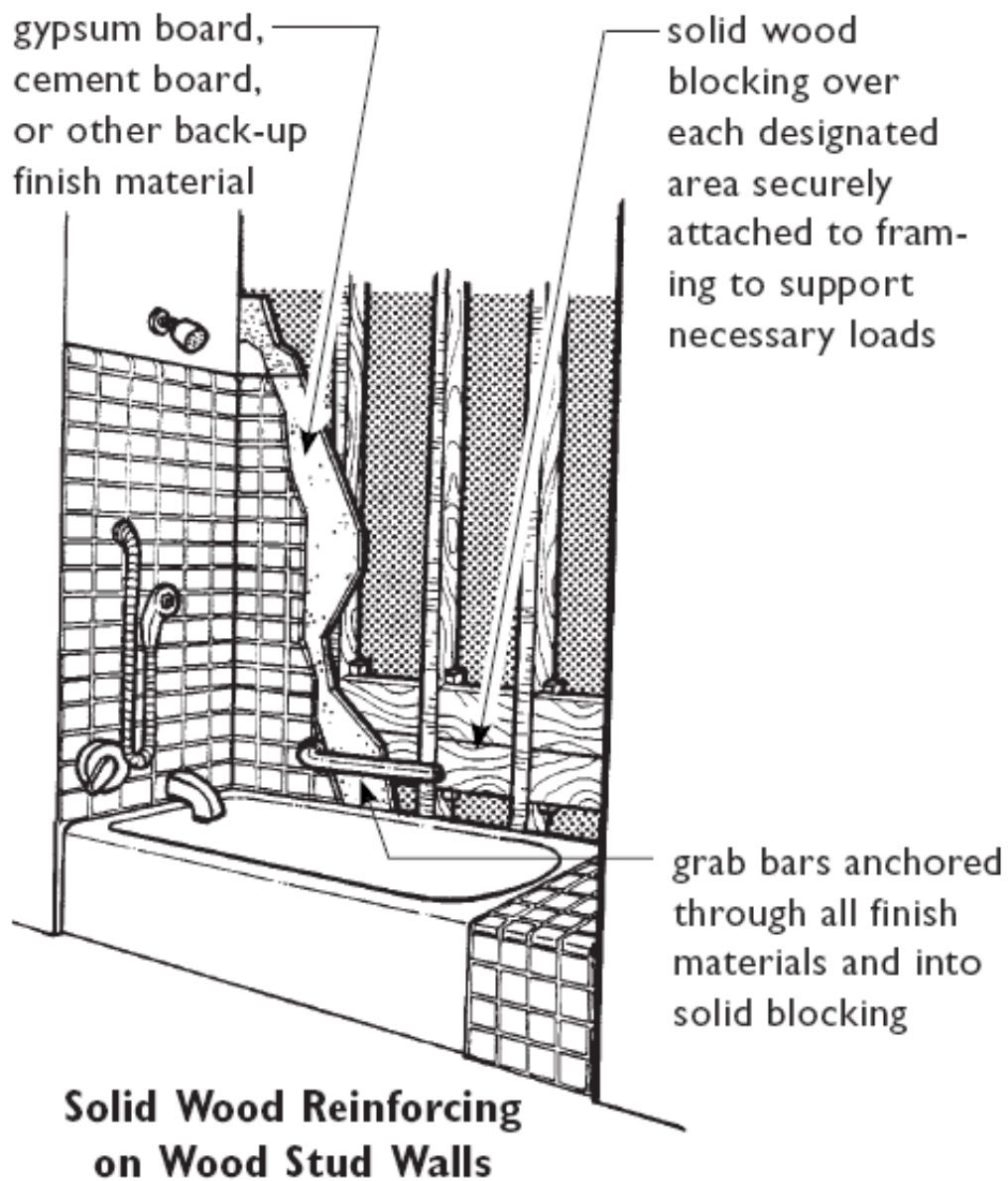


**Required Reinforcing  
When Shower is Only  
Bathing Fixture**

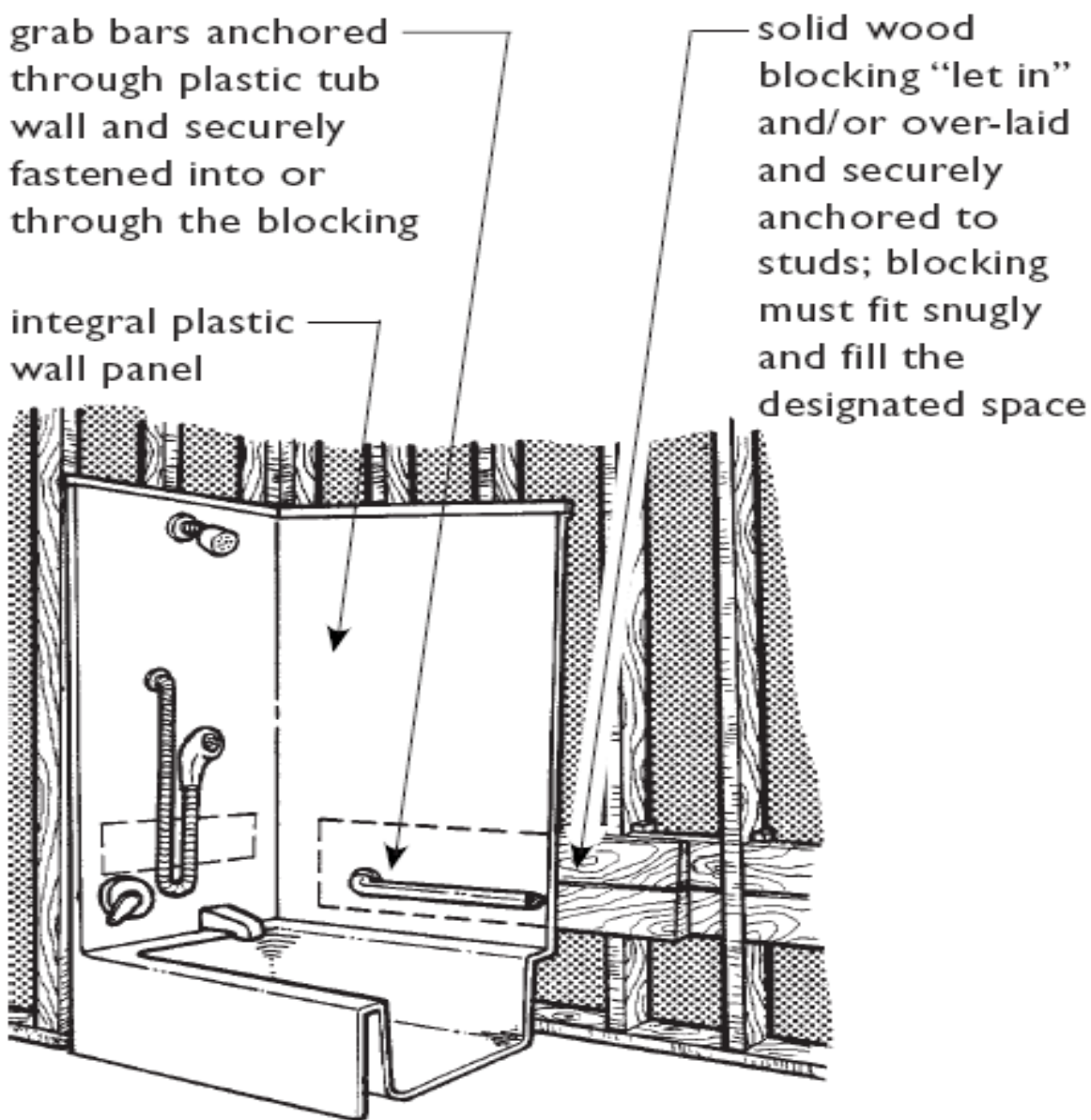


**Other Shower  
Configurations Permitted**

# Placement and Reinforcement for Bathroom Grab Bars

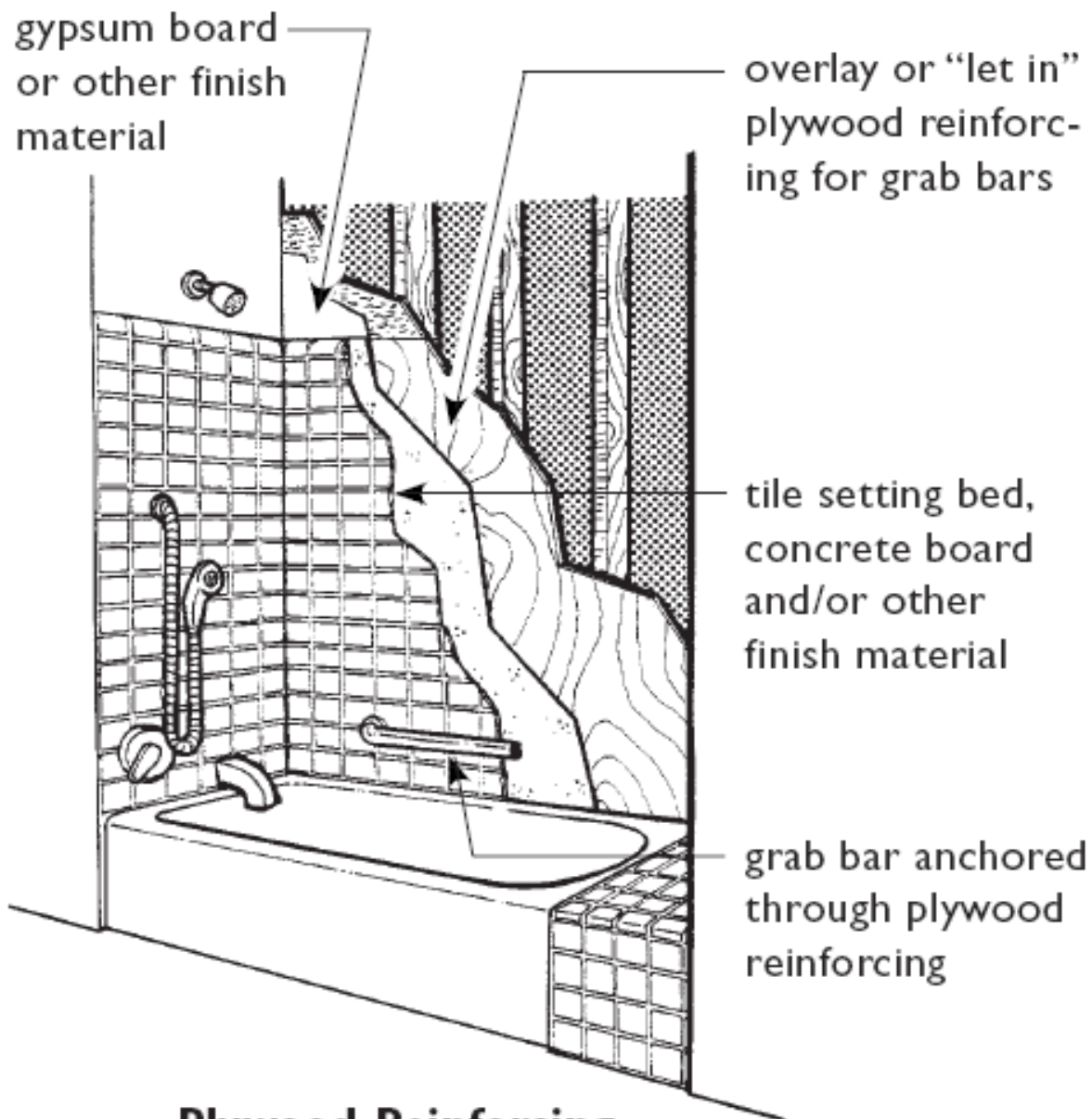


# Placement and Reinforcement for Bathroom Grab Bars



**Reinforcing for Grab Bars  
Behind Fiberglass or Acrylic Tub  
and Shower Surrounds**

# Placement and Reinforcement for Bathroom Grab Bars



**Plywood Reinforcing  
on a Wood or Metal Stud Wall**